

Allegheny J-Series Office Paper Shredders

QUIET, COMPACT, RELIABLE

“After buying two shredders that didn’t hold up, I wanted equipment I could count on. Since purchasing my Allegheny J-Series paper shredder three years ago, we’ve had excellent performance and never once required service.”

– RAYMOND FERGUSON
Toyota Textile Machinery, Inc.

ALLEGHENY J-SERIES Office Paper Shredders provide a reliable, cost-effective solution to your document security needs. These powerful, compact shredders will thoroughly destroy all types of confidential documents, from stacks of computer printouts to a single check.

The J-Series combines an attractive appearance with Allegheny’s proven durability and shredding power. Easy to fit into a small space, they run quietly while handling large shredding jobs with ease. You don’t even have to remove paper clips, staples or Acco fasteners – they can be shredded right along with the paper.

Built to Last

Allegheny J-Series Paper Shredders are designed, engineered and manufactured to be the most reliable and long-lasting in the industry. Key features include:

- **Advanced technology** computer-aided design (CAD) and computer-aided manufacturing (CAM) – guarantees precision and maximizes shredding power
- **All-steel construction** ensures durability and longer machine life
- **Highest quality components** increase reliability and minimize downtime
- **Skilled craftsmen** provide attention to detail with a commitment to excellence that has earned Allegheny a worldwide reputation for quality equipment.

Innovative Cutting Assembly

The J-Series features an advanced cutting assembly that you won’t find in other paper shredders.

Model J-25

- Cost-effective, built for general office use
- Ideal if you need paper shredders in several locations

Model J-45

- High capacity, built for heavier use
- Ideal for large departments (purchasing, accounting, sales, etc.)



A powerful yet quiet solution to your office shredding needs

Unique to Allegheny, this cutting assembly is virtually maintenance-free and does not require oiling for the entire life of the machine. It contains solid steel cutter shafts, which are far superior to the wafer-thin cutters found in other cutting heads.

This innovative design reduces the build-up of shredded material and provides greater resistance to damage and wear, ensuring reliable, trouble-free operation for many years to come.

Unique Safety Features

Safety is an integral part of the design of every Allegheny shredder. International

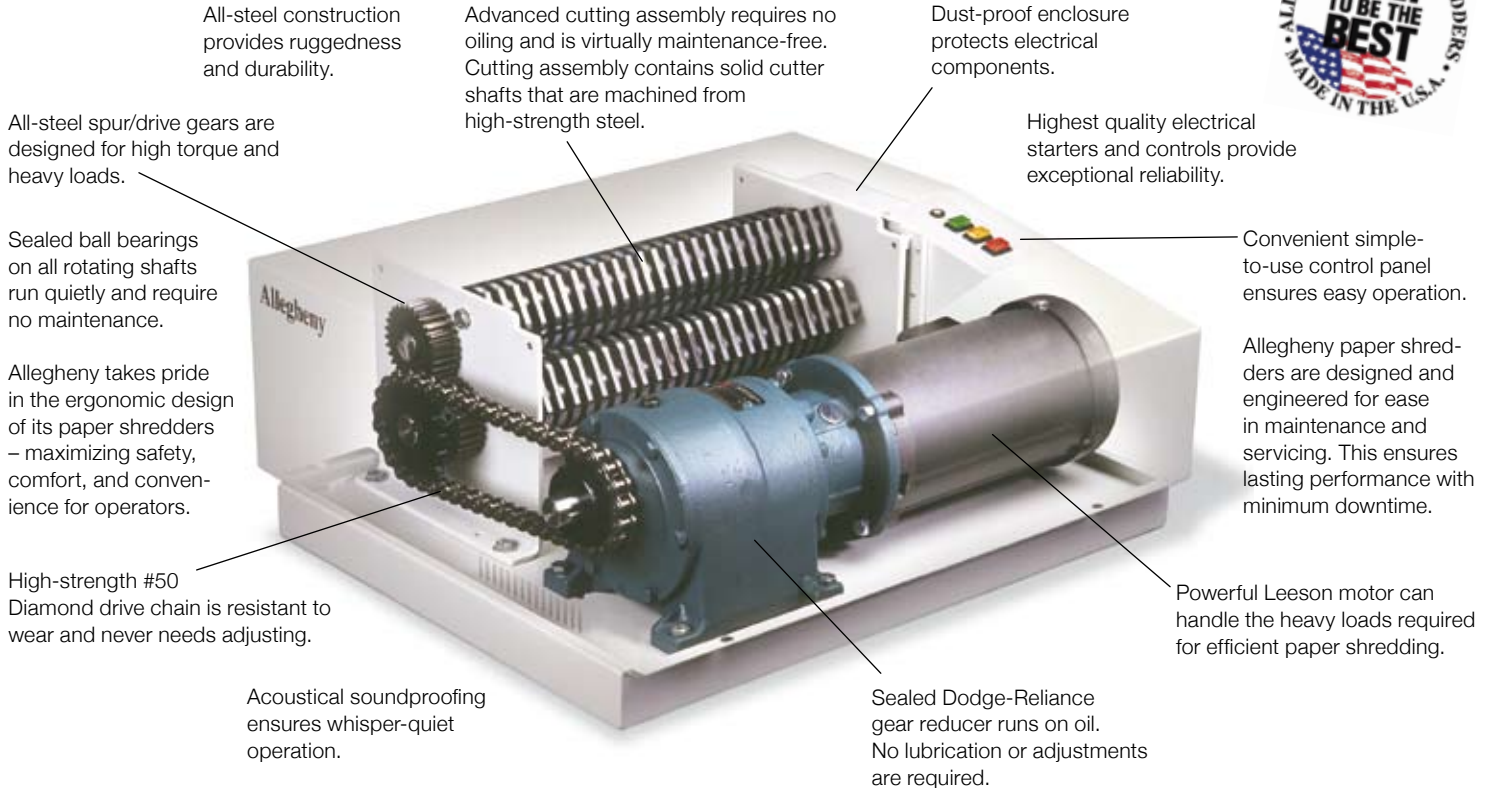
symbol-coded safety labels, along with a comprehensive user manual, ensure safe and reliable operation.

Strongest Warranty in the Industry

Allegheny J-Series Paper Shredders are backed by a **3-year warranty on all parts and labor**. The entire cutting assembly is covered for 10 years. This includes cutter shafts, combers, tie bars, bearings, end plates, spur/drive gears, and chain-driven sprockets. Plus, our unprecedented **10-year guaranteed trade-in policy** saves you money in upgrading to a new or larger shredder.

Anatomy of an Allegheny J-Series Office Paper Shredder

Standard features that make the J-Series the most reliable in the industry



Model	J-25	J-45	J-45 with 1 Hp. Upgrade*
MOTOR	½ Hp.	¾ Hp.	1 Hp.
Capacity**	20-25	40-45	50-55
Input Speed (feet / meters per minute)	60 / 18	41 / 12.5	41 / 12.5
Feed Opening (width)	16" / 406 mm	16" / 406 mm	16" / 406 mm
Cutting Assembly (width)	16" / 406 mm	16" / 406 mm	16" / 406 mm
Cutters	3" diameter, solid cutter shafts machined from high-strength steel		
Shred Width	5/16" / 7.9 mm (Other shred widths are available.)		
Decibel Rating	62 dBA	62 dBA	62 dBA
Voltage	115 Volt AC, 1-phase, 60 cycle (Other voltages are available.)		
Dimensions (W x L x H)	Shredder: 25" x 21½" x 10" / 635 mm x 546 mm x 254 mm Shredder w/Deluxe Stand: 25" x 30½" x 40" / 635 mm x 775 mm x 1016 mm		
Shredder Weight	255 lbs / 116 kg	265 lbs / 120 kg	265 lbs / 120 kg
Deluxe Stand Weight	100 lbs / 45 kg	100 lbs / 45 kg	100 lbs / 45 kg

* Optional 1 Hp. upgrade available. This requires a dedicated 30 amp, 115V power supply. An electrical receptacle is supplied with the machine.

**Total sheets of 20 lb bond paper that can be shredded per pass. Actual capacity depends on available power supply.



Deluxe Stand

Designed especially for our J-Series Office Paper Shredders, this heavy duty all-steel stand is equipped with a slide-out bag holder, convenient pullout shelf, silent roller casters, and three built-in shelves that can be used for storage or for self-feeding of up to three stacks of continuous computer printouts simultaneously.



Plastic Bags

Allegheny offers plastic bags for the convenient disposal of shredded paper. These 55-gallon bags are made of tough, clear, 2 mil virgin polyethylene. Each bag measures 40" wide x 48" high. Full bags can withstand a 20-foot drop without breaking. Bags come on dispensing rolls.

GIVE US A CALL

If you'd like to learn more about how Allegheny can help meet all of your security, recycling, and waste reduction needs, please contact us.

We offer the widest range of shredders available – from office paper shredders to high volume shredding systems that can destroy up to 25 tons of paper per hour.

If you would like information about shredders with different capacities than Allegheny's J-Series Office Paper Shredders, please refer to the brochures on our **16-Series Shredders**, **100-Series Shredders**, **1000-Series Shredders**, **Security Grinders** or **Horizontal Balers**.



Old William Penn Highway East • Delmont, PA 15626-0080
(800) 245-2497 • (724) 468-4300 • Fax: (724) 468-5919
solutions@alleghenyshredders.com www.alleghenyshredders.com